

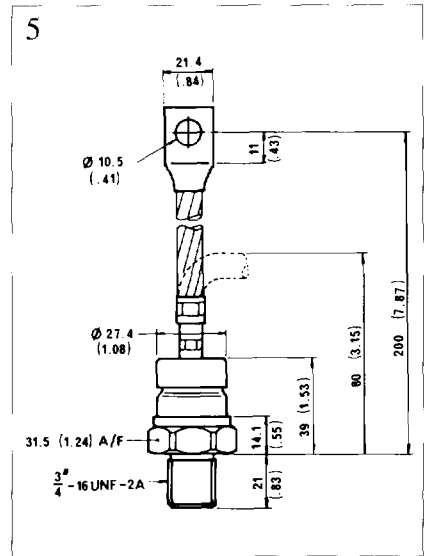


RECTIFIERS (DIODES)

General Purpose

Stud Package

PART NO. (* = V _{DRM} /100)	I _{F(AV)} AMPS	I _{RMS} AMPS	VOLTAGE RANGE V _{DRM} /V _{RRM} VOLTS	I _{FSM} kA	POL- ARITY N=reg. R=rev.	PKG.
ISD25-* ISDR25-*	25	40	200 to 1800	0.3	N R	1
ISD52-* ISDR52-*	52	80	200 to 1800	0.6	N R	2
ISD75-* ISDR75-*	75	118	200 to 1200	1.3	N R	2
ISD160-* ISDR160-*	160	250	400 to 1800	2.8	N R	3
ISD320-* ISDR320-*	320	600	1600 to 2400	4.0	N R	4
ISD380-* ISDR380-*	380	600	200 to 1500	5.5	N R	5



Fast Recovery

Stud Package

PART NO. (* = V _{DRM} /100)	I _{F(AV)} AMPS	I _{RMS} AMPS	VOLTAGE RANGE V _{DRM} /V _{RRM} VOLTS	I _{FSM} kA	T _{RR(TYP)} μsec	POL- ARITY N=reg. R=rev.	PKG.
ISDF25-*	25	47	200 to 1000	0.26	1.5	N	1
ISDF50-*	50	80	200 to 1600	0.64	0.1-0.5	N	2
ISDF65-*	65	118	200 to 1000	1.00	2.0	N	2
ISDF150-*	150	400	200 to 1200	4.50	3.0	N	4

NOTE: OTHER RATINGS ALSO AVAILABLE

CALL 317-873-5956

TO ORDER BY PART NO.

OR SEE PAGE 7

FOR INSTRUCTIONS

